

P4498 Kill A Watt® Connect™

Quick Start Guide

Thank you for purchasing the P4498 Kill A Watt Connect Power Meter. This quick start guide will provide an overview of the product and functions, with a brief guide to operation. Take the time to completely review this guide to ensure your best use of the product. We encourage you to refer to the full operating manual available online by scanning the adjacent QR code or browsing to <https://p3.club/P4498>



The Kill A Watt Connect is an easy to use consumer power meter allowing the user to accurately measure power consumption of household appliances and to determine the actual cost of power consumed. The unit will also project, in real time, the cost of continued use of the appliance in time periods of Hour, Day, Week, Month, and Year. Measurements are retained in memory during power interruptions.



The P4498 features a separate plug/socket and display housing connected by a cable. This allows flexible placement of the display for convenient viewing. Total consumed power is displayed in Kilowatt-hours (KWH). It is easy to use with a large display and simple 5-button interface. The unit is ETL listed and features over-current protection for safety.

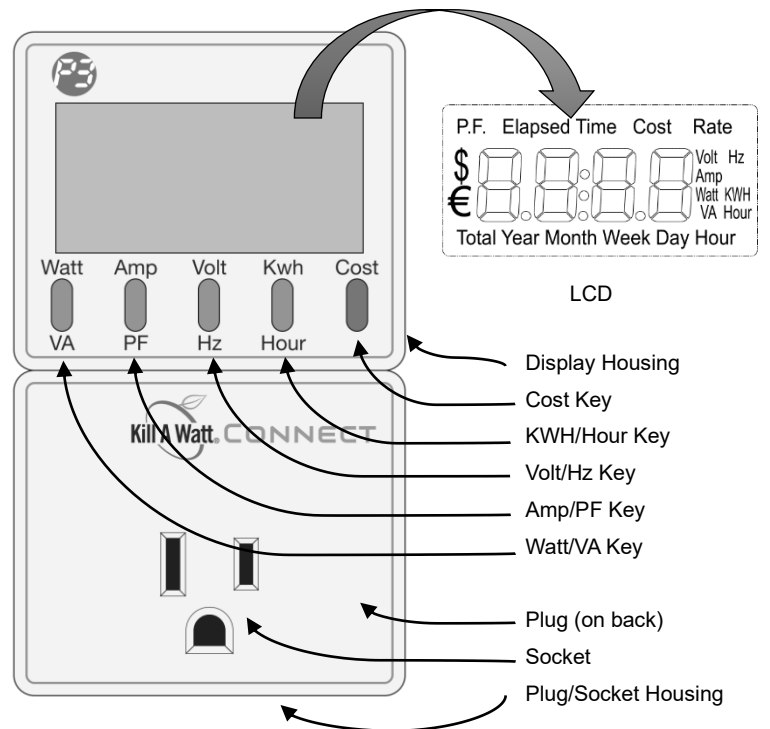
Get Started

Installation

First plug the Plug/Socket Housing into a wall outlet. Ensure the outlet is in good condition to avoid any issues. Then plug in the appliance you wish to measure to the socket on the face of the unit. Attach the display housing to the plug housing via the built-in magnets. Or you can separate the display housing and place it for easy viewing. Measurement will begin immediately. See below for instructions on clearing the unit memory.

Unit Controls

- Once connected, you can control the display through the array of keys beneath the LCD. The controls are labeled with markings printed on the housing.
- The LCD shows all meter readings: Volts, Current, Watts, Frequency, Power Factor, and VA. The unit will start to accumulate KWH and powered duration time (hour) after power is applied.
- The Watt/VA Key is a toggle function key. Pressing the key will display instantaneous Power (Watt) and Apparent Power (VA) alternately.
- The Amp/PF is a toggle function key. Pressing the key will display instantaneous Current (Amp) and Power Factor alternately (PF=W/Rms Arms).
- The Volt/Hz Key is a toggle function key. Pressing the key will display instantaneous Line Voltage (Volt) and Line Frequency (Hz) alternately.
- The KWH/Hour is a toggle function key. Pressing the key will display the cumulative energy consumption (KWH) and the time elapsed (Hours) alternately. Values will accumulate until the unit is reset. Time elapsed will display as HH:MM until the counter reaches 99 hours at which point time will display as HHHH.





- To reset the accumulated KWH/Hours and Total Cost, press and hold the KWH/Hour key for about 3 seconds until the LCD shows rEST.
- The Cost key will display calculated cost of electricity consumed since the last reset (Total). Repeated presses of the Cost key will display the projected cost of electricity consumed for the various time periods displayed on the LCD.
- For example, if the display indicates \$2.34 and "Month", the unit is projecting that the attached appliance will consume \$2.34 worth of electricity at the programmed rate in one month.
- Don't be surprised if the total cost display is 0.00 initially. It will take some time to accumulate cost.

Rate Setting

- To accurately calculate the actual cost of electricity consumed and to project future costs, first you must set your local utility's electricity rate into the unit. The rate is typically charged as dollars (or cents) per kilowatt-hour (KWH). You can find this rate on your last utility bill or you can contact the utility's customer service department to determine your rate. Some utilities charge two or more rates depending on consumption, time of day, or season. Use the rate that more closely reflects your actual use patterns or average the two rates to suit your needs.
- To set the rate, press and hold the Cost key for about 3 seconds. "Rate" will be displayed and the currently set rate will flash.
- Press the Amp/PF (UP) and Volt/Hz (DOWN) keys to set your desired rate. If you hold the UP or DOWN key, the displayed rate will rapidly change. The range of settings is from \$0.000 to \$9.999. For example, if your utility charges you 10.6 cents per KWH, set the rate until the unit displays \$0.106.
- Press the Cost key again. "SAVE" will appear briefly in the display as the desired rate is set. The unit will return to the Measurements mode.

Unit of Measure	Range	Accuracy
Voltage (Volt)	110V ± 10%	0.4%
Current (Amp)	0.00 ~ 15.00 (Arms)	1%±0.2A
Power (Watt)	0.00 ~ 99.9 (W)	2%±1W
	100 ~ 1875 (W)	2%±5W
Apparent Power (VA)	0.00 ~ 99.9 (VA)	2%±1VA
	100 ~ 1875 (VA)	2%±5VA
Frequency (Hz)	47 ~ 63 (Hz)	0.5%
Power Factor (PF)	0.00 ~ 1.00	0.03
Kilowatt Hours (kWh)	0.00 ~ 9999 (kWh)	2%±5W
Cost	0.00 ~ 9999 (Cost)	2%±5
Rate	0.000 ~ 9.999 (Rate)	-
Elapsed Time (Hour)	00:00 ~ 9999 (Hour)	30 ppm

Safety Instructions:

	<p>CAUTION</p> <p>RISK OF ELECTRIC SHOCK</p> <p>DO NOT OPEN</p> <p>CAUTION:</p> <p>TO REDUCE THE RISK OF ELECTRIC SHOCK, DO NOT REMOVE COVER. NO USER-SERVICEABLE PARTS INSIDE. REFER SERVICING TO QUALIFIED SERVICE PERSONNEL.</p> <p>WARNING:</p> <p>TO REDUCE THE RISK OF FIRE OR ELECTRIC SHOCK, DO NOT EXPOSE THIS APPLIANCE TO RAIN OR MOISTURE.</p>	
--	---	---

The lightning flash with arrowhead, within an equilateral triangle, is intended to alert the user to the presence of uninsulated "dangerous voltage" within the product's enclosure that may be of sufficient magnitude to constitute a risk of electric shock to persons.

The exclamation point within an equilateral triangle is intended to alert the user to the presence of important operating and maintenance instructions in the literature accompanying the appliance.

Read Instructions – All the safety and operating instructions should be read before the product is operated.

Retain Instructions – The safety and operating instructions should be retained for future reference.

Heed Warnings – All warnings on the product and in the operating instructions should be adhered to.

Follow Instructions – All operating and use instructions should be followed.

Cleaning – Unplug this product from the wall outlet before cleaning. Do not use liquid cleaners or aerosol cleaners.

Attachments – Do not use attachments not recommended by the product manufacturer as they may cause hazards.

Water and Moisture – Do not use this product near water – for example, near a bath tub, wash bowl, kitchen sink, or laundry tub; in a wet basement; or near a swimming pool and the like.

Accessories – Do not place this product on an unstable cart, stand, tripod, bracket, or table. The product may fall, causing serious injury to a child or adult, and serious damage to the product. Any mounting of the product should follow the manufacturer's instructions.

Ventilation – Slots and openings in the cabinet are provided for ventilation and to ensure reliable operation of the product and to protect it from overheating, and these openings (if any) must not be blocked or covered. The openings (if any) should never be blocked by placing the product on a bed, sofa, rug, or other similar surface. This product should not be placed in a built-in installation such as a bookcase or rack unless proper ventilation is provided or the manufacturer's instructions have been adhered to.

Power Sources – This product should be operated only from the type of power source indicated on the marking label. If you are not sure of the type of power supply to your home, consult your product dealer or local power company. For products intended to operate from battery power, or other sources, refer to the operating instructions.

Grounding or Polarization – This product may be equipped with a polarized alternating-current line plug (a plug having one blade wider than the other). This plug will fit into the power outlet only one way. This is a safety feature. If you are unable to insert the plug fully into the outlet, try reversing the plug. If the plug should still fail to fit, contact your electrician to replace your obsolete outlet. Do not defeat the safety purpose of the polarized plug.

Power-Cord Protection – Power-supply cords should be routed so that they are not likely to be walked on or pinched by items placed upon or against them, paying particular attention to cords at plugs, convenience receptacles, and the point where they exit from the product.

Lightning – For added protection for this product during a lightning storm, or when it is left unattended and unused for long periods of time, unplug it from the wall outlet. This will prevent damage to the product due to lightning and power-line surges.

Overloading – Do not overload wall outlets, extension cords, or integral convenience receptacles as this can result in a risk of fire or electric shock.

Object and Liquid Entry – Never push objects of any kind into this product through openings (if any) as they may touch dangerous voltage points or short-out parts that could result in a fire or electric shock. Never spill liquid of any kind on the product.

Servicing – Do not attempt to service this product yourself as opening or removing covers may expose you to dangerous voltage or other hazards. Refer all servicing to qualified service personnel.

Damage Requiring Service – Unplug this product from the wall outlet and refer servicing to qualified service personnel under the following conditions:

- When the power-supply cord or plug is damaged.
- If liquid has been spilled, or objects have fallen into the product.
- If the product has been exposed to rain or water.
- If the product does not operate normally by following the operating instructions. Adjust only those controls that are covered by the operating instructions as an improper adjustment of other controls may result in damage and will often require extensive work by a qualified technician to restore the product to its normal operation.
- If the product has been dropped or damaged in any way.
- When the product exhibits a distinct change in performance – this indicates a need for service.

Replacement Parts – When replacement parts are required, be sure the service technician has used replacement parts specified by the manufacturer or have the same characteristics as the original part. Unauthorized substitutions may result in fire, electric shock, or other hazards.

Safety Check – Upon completion of any service or repairs to this product, ask the service technician to perform safety checks to determine that the product is in proper operating condition.

Heat – The product should be situated away from heat sources such as radiators, heat registers, stoves, or other products that produce heat.

P3 INTERNATIONAL CORPORATION LIMITED WARRANTY

P3 INTERNATIONAL CORPORATION ("P3") warrants to the original retail purchaser only, that its product is free from defects in material or workmanship under the condition of normal use and service for a period of six (6) months from the date of purchase. In the event that a defect, malfunction or failure occurs or is discovered during the warranty period, P3 will repair or replace at its option the product or component part(s) which shall appear in the reasonable judgment of P3 to be defective or not to factory specifications. A product requiring service is to be returned to P3 along with the sales receipt or other proof of purchase acceptable to P3 and a statement describing the defect or malfunction. All transportation costs shall be borne by the owner and the risk of loss shall be upon the party initiating the transportation. All items repaired or replaced thereunder shall be subjected to the same limited warranty for a period of six (6) months from the day P3 ships the repaired or replaced product. The warranty does not apply to any product that has been subject to misuse, tampering, neglect, or accident or as a result of unauthorized alterations or repairs to the product. This warranty is void if the serial number (if any) has been removed, altered, or defaced. This warranty is in lieu of all warranties expressed or implied, including the implied warranties of merchantability and fitness for a particular purpose which are expressly excluded or disclaimed. P3 shall not be responsible for consequential, incidental or other damages, and P3 expressly excludes and disclaims liability for any damages resulting from the use, operation, improper application, malfunction or defeat of any P3 product covered by this limited warranty. P3's obligation is strictly and exclusively limited to the replacement or repair of any defective product or component part(s). Some states do not allow the exclusion or limitation of incidental or consequential damages, so the above limitation or exclusion may not apply to you. P3 does not assume or authorize anyone to assume for it any other obligation whatsoever. Some states do not allow limitation on how long an implied warranty lasts, so the above limitations may not apply to you. It is the owner/user's responsibility to comply with local, state, or federal regulations, if any, that may pertain to P3 products or their use. This warranty gives you specific legal rights, and you may also have other rights which vary from state to state.

If you experience difficulty in the operation of your unit, or if your unit requires repair please contact:

P3 INTERNATIONAL CORPORATION - TECHNICAL SUPPORT
Tel: 212-741-7289 - Fax: 212-741-2288
Email: techsupport@p3international.com